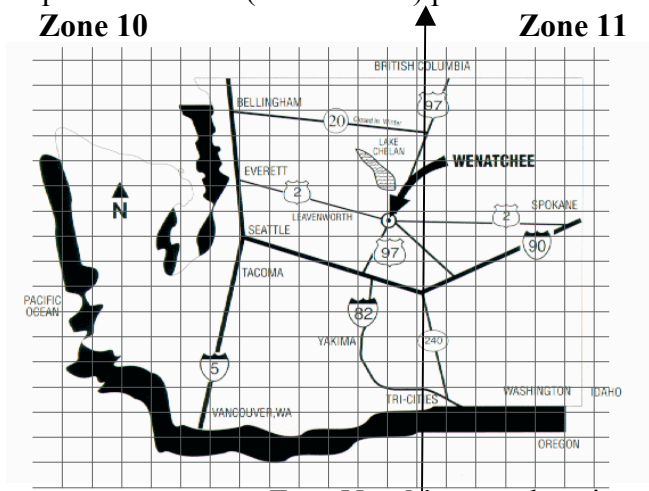


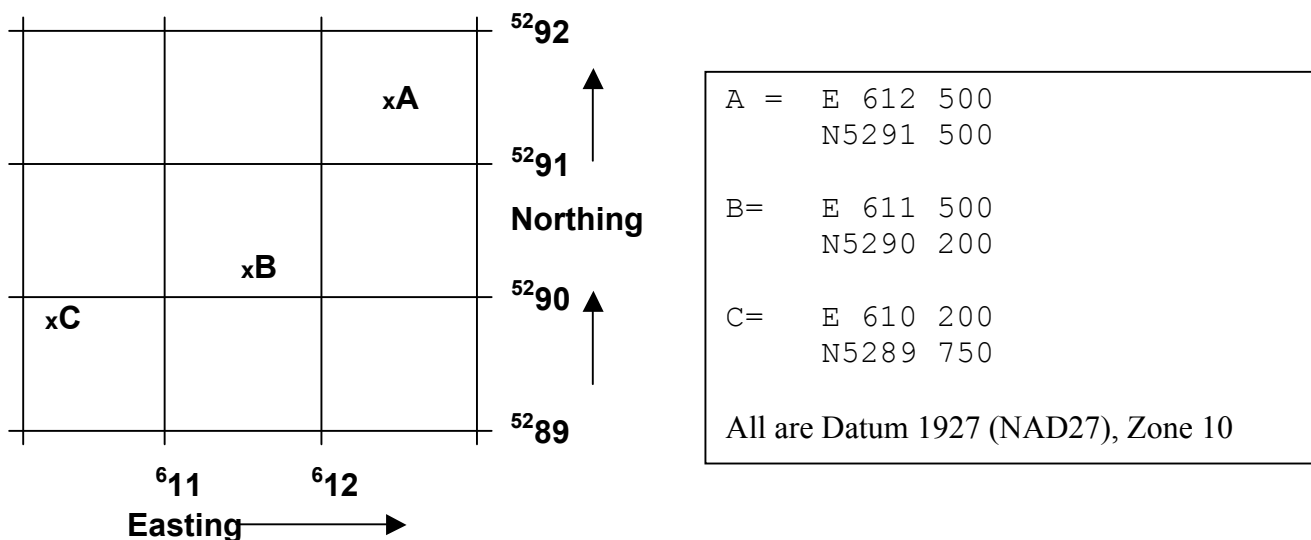
## UTM Coordinate System

UTM=Universal Transverse Mercator, a worldwide system for exact determination of location.

Grid is not to scale. Squares are 1 km (1000 meters) per side..



**Easting** numbers increase as you move East. **Northing** numbers increase as you go North. The last 3 digits, not given on the map, are 000. These last three digits can be used to estimate location between the lines. For example, halfway from one Northing line to the next is 500. There are simple plastic overlay devices to give even more accurate numbers.



UTM can be used to identify a location for Search and Rescue. To identify your location, give information in the following order

- 1) Datum (usually NAD27 in USA)
- 2) Zone (10)
- 3) Easting
- 4) Northing

UTM is used increasingly in guidebooks for hiking and climbing to describe waypoints on routes and exact locations of landmarks.

UTM coordinates can be used to navigate with a GPS.